



MERCURA®

ALUMINIUM MOBILE SOLUTIONS



LUGGAGE



Palazzo



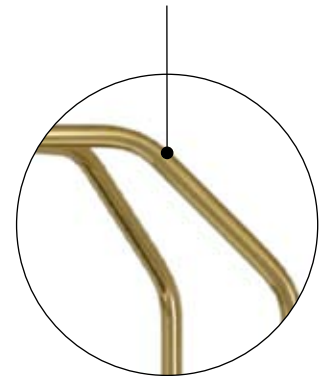
Decorative finial covered with matching carpet.
In option :
- with a standard font letter
- or polished disk with personalised custom logo

Hanging rail for garment bags

Round tube frame
Exceptional durability
No maintenance

Round shaped birdcage
or
Angular shaped birdcage

Available as an option, retaining hoop to retain luggage which can also be used as a handle to lift trolley over pavements



Model shown: Ref. 1 402 029
(red carpet instead of brown on request)

Flexible non-marking full wrap-around bumper to protect interior

2 fixed et 2 swivel wheels
Wheel forks and flasks with :
- chrome finish for silver version
- brass finish for gold version

Base covered with hard-wearing deluxe thick carpet :
- blue for silver version
- brown for gold version
Other carpet colours on request.

Pneumatic wheels Ø 225 mm for irregular floors or pavements

or

Rubber wheels Ø 200 mm for smooth floors



SPECIFICATIONS

- Prestigious “bird-cage” luggage trolley
- In anodised aluminium, robust and light
- Durable anodised gloss finish, tarnish-free, low maintenance, no oxidation
- Available in 2 colours: silver or gold

OPTION

- Brake on swivel wheel



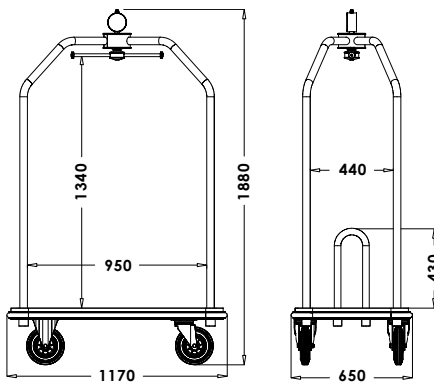
Ref. 1 402 016



Ref. 1 402 022



Ref. 1 402 011
(black carpet instead of blue on demand)



PALAZZIO		SILVER with blue carpet (*)		GOLD with brown carpet (*)	
		Rubber wheels Ø 200 mm	Pneumatic wheels Ø 225 mm	Rubber wheels Ø 200 mm	Pneumatic wheels Ø 225 mm
ANGULAR BIRDCAGE SHAP	N° 1 standard	1 402 011	1 402 013	1 402 012	1 402 014
	N° 2 with retaining handle	1 402 021	1 402 023	1 402 022	1 402 024
ROUND BIRDCAGE SHAP	N° 1 standard	1 402 016	1 402 018	1 402 017	1 402 019
	N° 2 with retaining handle	1 402 026	1 402 028	1 402 027	1 402 029

(*) other carpet colours available on request

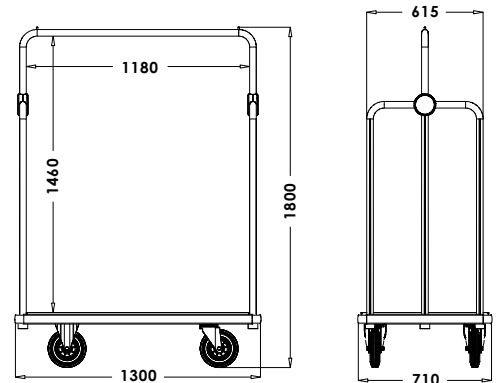
Pullman

SPECIFICATIONS

- **High capacity luggage trolley for guest groups**
- Solid round tube frame in anodised aluminium with durable satin-like low maintenance finish
- Available in 2 colours: silver or gold
- Platform covered with red hard-wearing carpet
- Full wrap-around non-marking bumper to protect interior and walls
- Decorative disks at each end covered with matching carpet. Optional:
 - with letter in standard font
 - or disk with personalised customer logo
- 2 fixed and 2 swivel wheels. Choice of :
 - grey rubber wheels Ø 200 mm for smooth floors
 - or pneumatic wheels Ø 225 mm for uneven floors

OPTION

- Upgrade to deluxe thick carpet in different colours



PULLMAN	SILVER with red felt carpet (*)		GOLD with red felt carpet (*)	
	Rubber wheels Ø 200 mm	Pneumatic wheels Ø 225 mm	Rubber wheels Ø 200 mm	Pneumatic wheels Ø 225 mm
	1 402 202	1 402 207	1 402 203	1 402 205

(*) other carpet colours optional

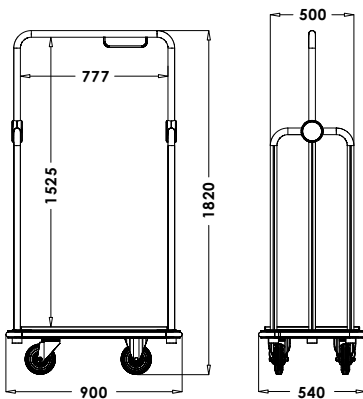
Sevilla

SPECIFICATIONS

- **Small luggage trolley for individual luggage**
- Solid round tube frame in anodised aluminium with durable satin-like low maintenance finish
- Available in 2 colours: silver or gold
- Small garment bag rail
- Platform covered with deluxe thick hard-wearing carpet:
 - blue carpet for silver finish
 - brown carpet for gold finish
- Other carpet colours available on request
- Full wrap-around non-marking bumper to protect interior and walls
- Decorative disks at each end covered with matching carpet. Optional:
 - with letter in standard font
 - or disk with personalised customer logo
- 2 fixed and 2 swivel wheels. Choice of :
 - grey rubber wheels Ø 160 mm for smooth floors
 - or pneumatic wheels Ø 225 mm for uneven floors



Ref. 1 402 102



Ref. 1 402 100

SEVILLA	SILVER with blue carpet (*)		GOLD with brown carpet (*)	
	Rubber wheels Ø 160 mm	Pneumatic wheels Ø 225 mm	Rubber wheels Ø 160 mm	Pneumatic wheels Ø 225 mm
	1 402 100	1 402 103	1 402 101	1 402 102

(*) other carpet colours available on request

Eldorado

SPECIFICATIONS

- Platform luggage trolley for guest luggage
- Solid tube frame in non anodised aluminium natural silver colour
- Non-marking grey bumpers at each side and on all 4 corners to protect interior and walls
- Platform and side panels covered with red hard-wearing carpet
- 2 fixed and 2 swivel wheels. Choice of :
 - grey rubber wheels Ø 200 mm for smooth floors
 - or pneumatic wheels Ø 225 mm for irregular floors



Ref. 1 402 600

California

SPECIFICATIONS

- Porter's hand truck for luggage
- In anodised aluminium with durable satin-like low maintenance finish
- Available in 2 colours: silver or gold
- Platform and back panel covered with red hard-wearing carpet
- Garment bag hook

- Choice of wheels:
 - 2 fixed wheels in rubber Ø 200 mm for smooth floors
 - or pneumatic wheels Ø 260 mm for better manoeuvrability on irregular floors or steps
- Optional "V"-shaped support legs for horizontal loading

Ref. 1 400 005
+ 1 354 020

Ref. 1 400 005



Ref. 1 400 004

Portland



Ref. 1 658 000

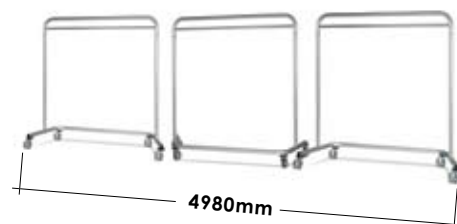
Ref. 1 680 000

SPECIFICATIONS

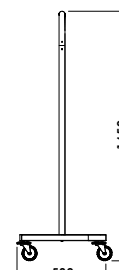
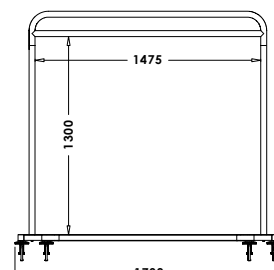
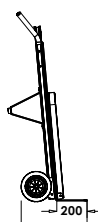
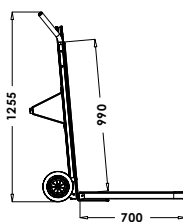
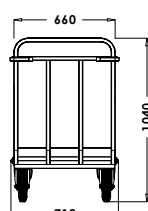
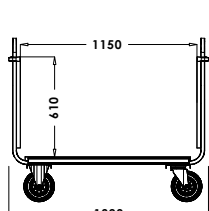
- Mobile coat rail in anodised aluminium
- Durable satin-like finish in 2 colours: silver or gold
- Practical “_/” shaped base offers optimal stability and allows intelligent nesting to minimise storage space
- 4 swivel wheels Ø 100 mm with corner buffers

OPTION

- Top hat shelf



		SILVER				GOLD			
		Rubber wheels	Ø mm	Pneumatic wheels	Ø mm	Rubber wheels	Ø mm	Pneumatic wheels	Ø mm
ELDORADO	Trolley	1 402 600	200	1 402 601	225	-	-	-	-
CALIFORNIA	Trolley	1 400 003	200	1 400 004	260	1 400 005	200	1 400 006	260
	Option : “V” support legs	1 354 024	200	1 354 026	260	1 354 020	200	1 354 022	260
PORTLAND	Coat rail	1 680 000	100	-	-	1 680 001	100	-	-
	Option top hat shelf	1 658 000	100	-	-	1 658 001	100	-	-



Valette

SPECIFICATIONS

- Luggage rack in anodised aluminium
- Foldable, ultra-light
- Strong hard-wearing straps
- Available in 2 versions :
 - Silver colour frame with grey straps
 - Gold colour frame with brown straps
- With or without back-rail for wall protection
- Available in 2 sizes



Ref. 1 700 002



Ref. 1 700 004

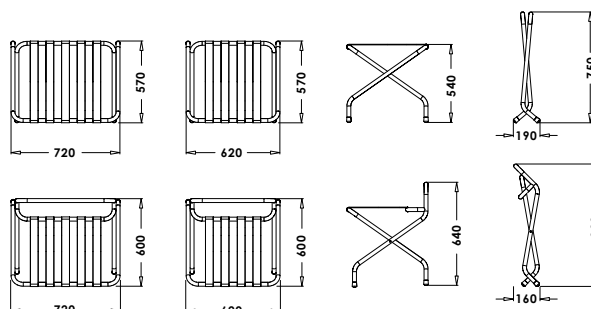


Ref. 1 700 003



Ref. 1 700 005

VALETTE		SILVER	GOLD	STRAPS
STANDARD	Without back rail	1 700 000	1 700 002	5
	With back rail	1 700 001	1 700 003	
JUNIOR	Without back rail	1 700 004	1 700 006	4
	With back rail	1 700 005	1 700 007	



In collaboration with



The World in Motion

Realised with the support of Brussels Export



Mercura Industries s.a.
Rue Bois des Îles 15
B-1082 Brussels
BELGIUM

Tel: +32 (0)2 482 11 30
Fax: +32 (0)2 468 18 48

www.mercura.com
info@mercura.com

© 2006, Mercura Industries